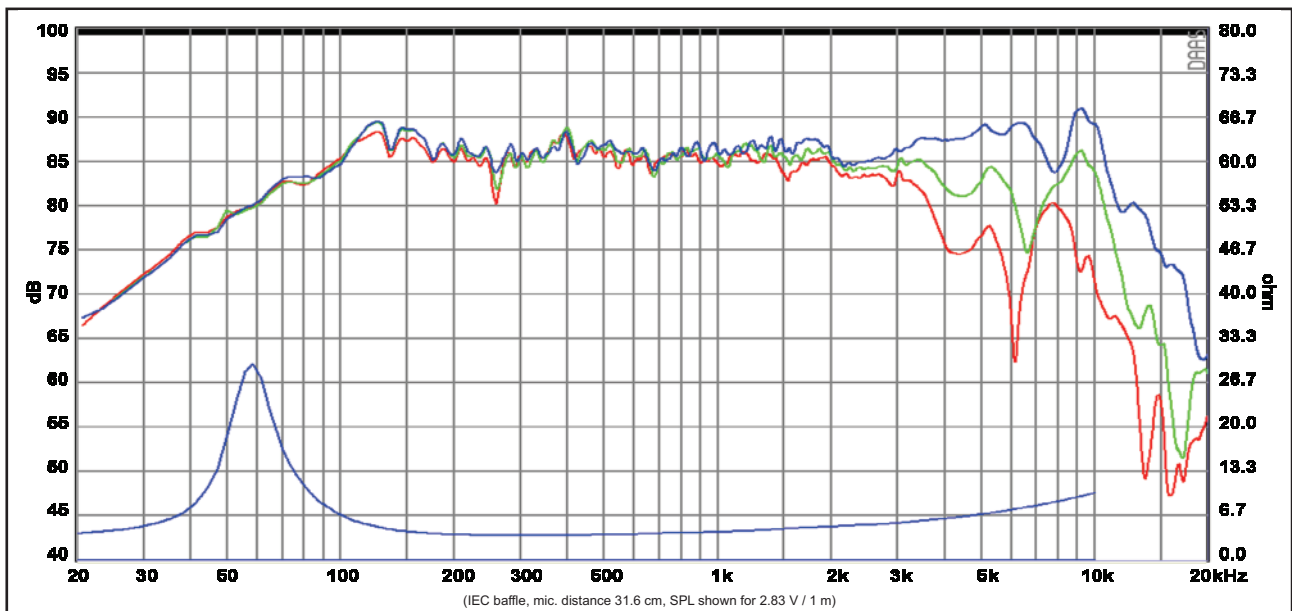
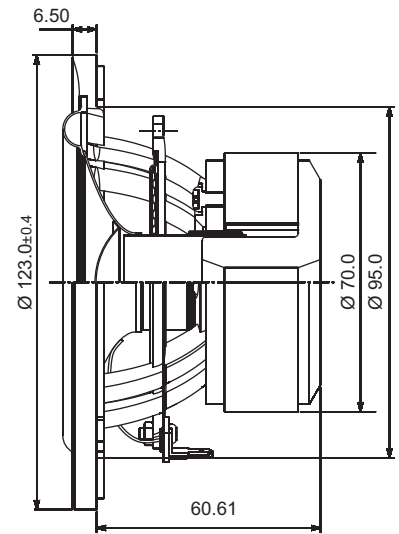
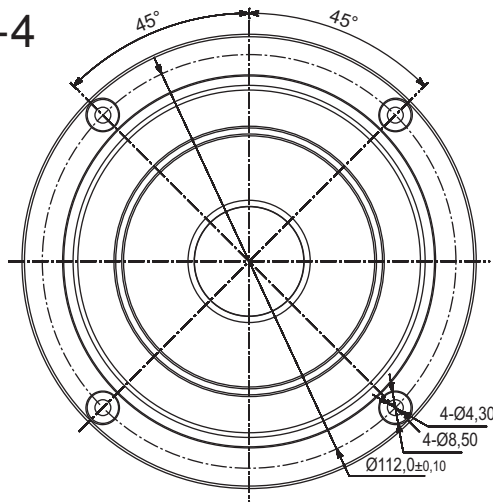


ACOUSTICS

4" SB12NRXF25-4



Response Curve :

— (Blue) : on axis — (Green) : 30° off-axis — (Red) : 60° off-axis

Specs :

Nominal Impedance	4 Ω	Free air resonance, Fs	61 Hz
DC resistance, Re	3.1 Ω	Sensitivity (2.83 V / 1 m)	87 dB
Voice coil inductance, Le	0.27 mH	Mechanical Q-factor, Qms	5.3
Effective piston area, Sd	50 cm ²	Electrical Q-factor, Qes	0.53
Voice coil diameter	25.4 mm	Total Q-factor, Qts	0.48
Voice coil height	15 mm	Moving mass incl.air, Mms	5.8 g
Air gap height	5 mm	Force factor, Bl	3.6 Tm
Linear coil travel (p-p)	10 mm	Equivalent volume, Vas	4.1 liters
Magnetic flux density	0.84 T	Compliance, Cms	1.17 mm/N
Magnet weight	0.32 kg	Mechanical loss, Rms	0.42 kg/s
Net weight	0.75 kg	Rated power handling*	30 W

* IEC 268-5, T/S parameters measured on drive units that are broken in.